





HANDGREEP L-vorm



L-vormige handgreep bestaande uit rechte elementen van krasvast geanodiseerd geëxtrudeerd aluminium met ronde / veelzijdige doorsnede Ø 35 x 32 mm. Verkrijgbaar in links- of rechtshandige versie. Wandbevestiging met verborgen schroeven in staal met corrosiebestendige behandeling, verkrijgbaar in 4 formaten.

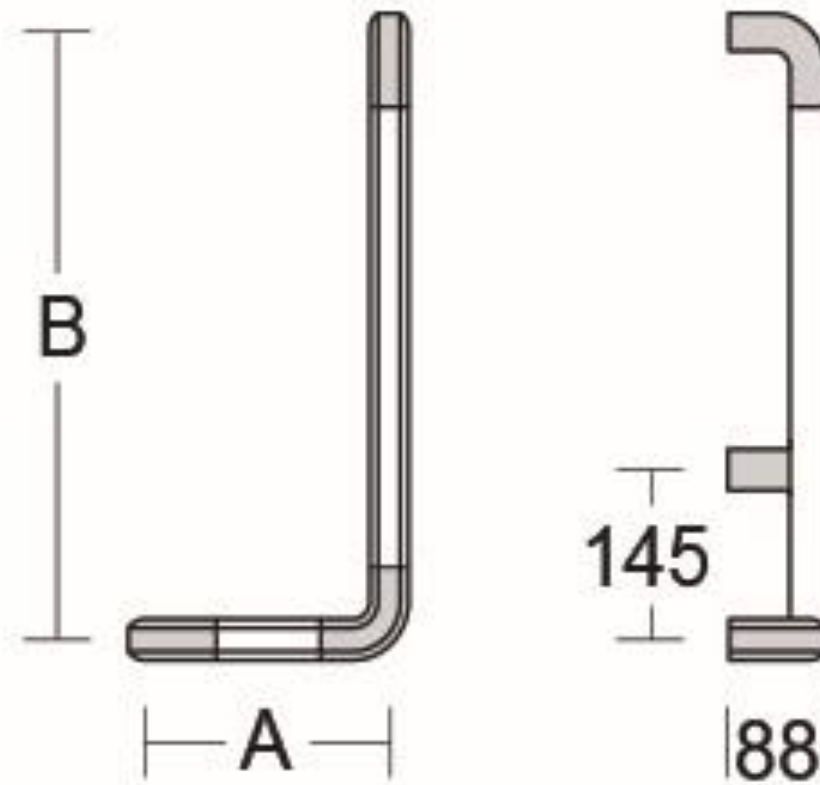
Afmetingen AxB: 220x520mm (.0000)
300x520mm (.000M)
320x720mm (.000L)
400x1160mm (.00LA)

Draagcapaciteit: 120kg

Kleuren: **.75 - Anthracite**



HANDGREEP L-vorm



◆ RIGHT

- Anodized aluminium
- Powder coated aluminium alloy

Artn°		A	B	Met douchehouder
ART.422.0000 ↪	L-SHAPED GRAB RAIL MADE OF SCRATCH-RESISTANT ANODIZED ALUMINIUM	220 (252)*	520(552)*	
ART.422.000L ↪	L-SHAPED GRAB RAIL MADE OF SCRATCH-RESISTANT ANODIZED ALUMINIUM	320 (352)*	720(752)*	
ART.422.000M ↪	L-SHAPED GRAB RAIL MADE OF SCRATCH-RESISTANT ANODIZED ALUMINIUM	300 (332)*	520(552)*	
ART.422.00LA ↪	L-SHAPED GRAB RAIL MADE OF SCRATCH-RESISTANT ANODIZED ALUMINIUM	400 (432)*	1160 (1192)*	
ART.22J.00LA ↪	L-SHAPED GRAB RAIL MADE OF SCRATCH-RESISTANT ANODIZED ALUMINIUM WITH SHOWER HEAD HOLDER	400 (432)*	1160 (1192)*	☑
ART.22J.0000 ↪	L-SHAPED GRAB RAIL MADE OF SCRATCH-RESISTANT ANODIZED ALUMINIUM WITH SHOWER HEAD HOLDER	220 (252)*	520(552)*	☑
ART.22J.000L ↪	L-SHAPED GRAB RAIL MADE OF SCRATCH-RESISTANT ANODIZED ALUMINIUM WITH SHOWER HEAD HOLDER	320 (352)*	720(752)*	☑
ART.22J.000M ↪	L-SHAPED GRAB RAIL MADE OF SCRATCH-RESISTANT ANODIZED ALUMINIUM WITH SHOWER HEAD HOLDER	300 (332)*	520(552)*	☑